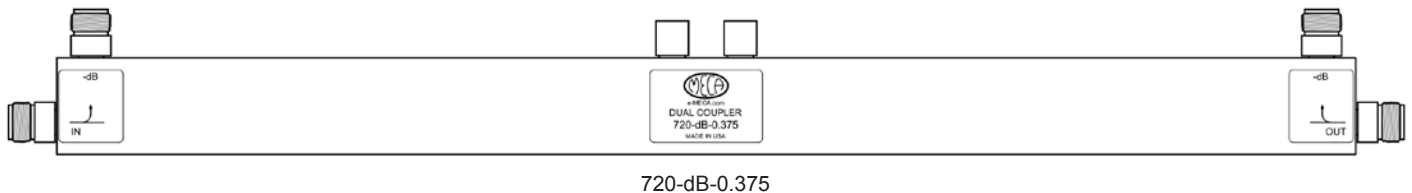
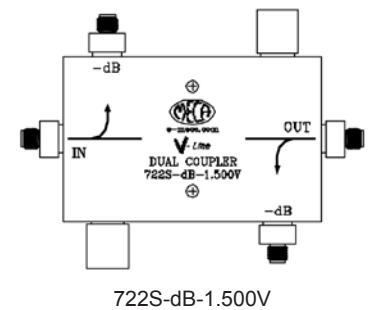
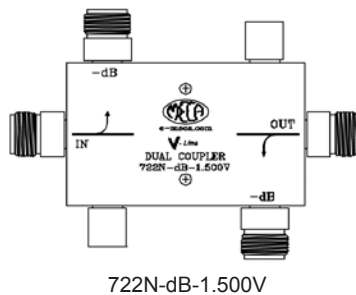
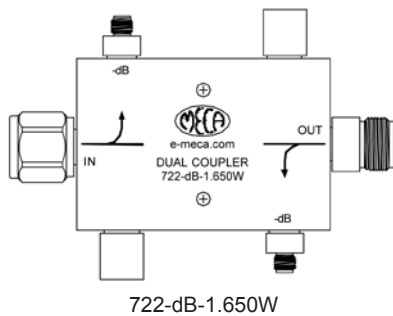




Dual Couplers



Series	Freq (GHz)	Coupling value (dB)	Connector	L" x W" X D*
720-20-0.162-M01	0.150 - 0.174	20	N & SMA-F	2.79 x 0.85 x 1.17
720-dB-0.375	0.250 - 0.500	6, 10, 20, 30 & 40	Type N-F	21.7 x .88 x 2.25
722N-dB-0.600	0.400 - 0.800	10, 20, 30 & 40	Type N-F	7.58 x .88 x 2.75
722S-dB-0.600	0.400 - 0.800	10, 20, 30 & 40	SMA-F	7.06 x .88 x 2.49
722-dB-0.600	0.400 - 0.800	10, 20, 30 & 40	N & SMA-F	7.62 x .88 x 2.49
722N-dB-0.900	0.800 - 1.000	10, 20, 30 & 40	Type N-F	5.96 x .88 x 2.75
722S-dB-0.900	0.800 - 1.000	10, 20, 30 & 40	SMA-F	5.44 x .88 x 2.49
722-dB-0.900	0.800 - 1.000	10, 20, 30 & 40	N & SMA-F	6.0 x .88 x 2.49
722N-dB-1.500V	0.800 - 2.200	10, 20, 30 & 40	Type N-F	4.65 x .88 x 2.75
722S-dB-1.500V	0.800 - 2.200	10, 20, 30 & 40	SMA-F	4.13 x .88 x 2.49
722-dB-1.500V	0.800 - 2.200	10, 20, 30 & 40	N & SMA-F	4.69 x .88 x 2.49
722N-dB-1.650W	0.800 - 2.500	10, 20, 30 & 40	Type N-F	4.46 x .88 x 2.75
722S-dB-1.650W	0.800 - 2.500	10, 20, 30 & 40	SMA-F	3.94 x .88 x 2.49
722-dB-1.650W	0.800 - 2.500	10, 20, 30 & 40	N & SMA-F	4.0 x .88 x 2.49
722N-dB-1.950	1.700 - 2.200	10, 20, 30 & 40	Type N-F	4.2 x .88 x 2.75
722S-dB-1.950	1.700 - 2.200	10, 20, 30 & 40	SMA-F	3.68 x .88 x 2.49
722-dB-1.950	1.700 - 2.200	10, 20, 30 & 40	N & SMA-F	4.24 x .88 x 2.49
722N-dB-3.100	2.000 - 4.200	10, 20, 30 & 40	Type N-F	3.64 x .88 x 2.75
722S-dB-3.100	2.000 - 4.200	10, 20, 30 & 40	SMA-F	3.12 x .88 x 2.49
722-dB-3.100	2.000 - 4.200	10, 20, 30 & 40	N & SMA-F	3.68 x .88 x 2.49



Average Power (Watts)				
Coupling Factor	10 dB	20 dB	30 dB	40 dB
722N Series	25	250	500	500
Theoretical Mainline Power Split Due to Coupling Factor (dB)				
722N Series	0.912	0.0872	0.0086	0.0008