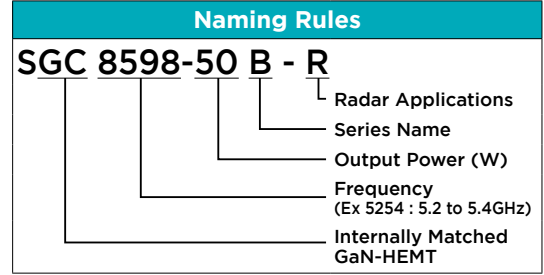


# GaN HEMTs for Radar C/X-band

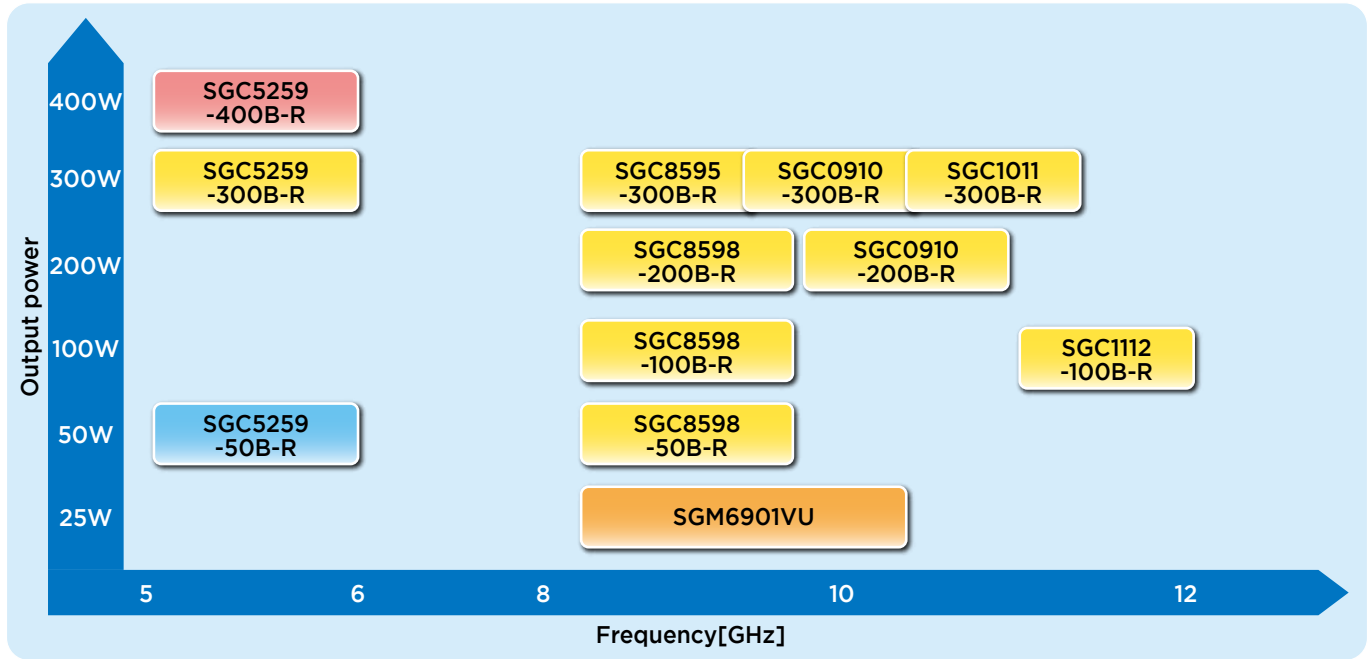
## Features

- High Power up to 520W(Typ.)
- High Gain
- High Efficiency
- Broad Band
- Impedance Matched Z in/Z out = 50ohm



## GaN HEMTs for Radar C/X Lineup

■ I2F Package   
 ■ IBK Package   
 ■ IK Package   
 ■ VU Package



| Part Number    | Freq. (GHz) | Pout Typ. (dBm)            | Gp Typ. (dB)             | $\eta_D$ Typ. (%) | VDS (V) | IDS(DC) (A) | Rth (°C/W) | Conditions Pulse Width/Duty | Pkg |
|----------------|-------------|----------------------------|--------------------------|-------------------|---------|-------------|------------|-----------------------------|-----|
| SGC5259-50B-R  | 5.2-5.9     | 48                         | 13                       | 51                | 50      | 0.17        | 2.4        | 100µs/10%                   | IBK |
| SGC5259-300B-R | 5.2-5.9     | 55.8(~5.7)<br>55.4(5.7~)   | 13.8(~5.7)<br>13.4(5.7~) | 51                | 50      | 1           | 0.7        |                             | IK  |
| SGC5259-400B-R | 5.2-5.9     | 57.2                       | 14.2                     | 50                | 50      | 1.3         | 0.55       |                             | I2F |
| SGC8598-50B-R  | 8.5-9.8     | 48                         | 11                       | 41                | 50      | 0.17        | 2.4        |                             | IK  |
| SGC8598-100B-R | 8.5-9.8     | 51                         | 10                       | 41                | 50      | 0.33        | 1.4        |                             |     |
| SGC8598-200B-R | 8.5-9.8     | 54                         | 10                       | 39                | 50      | 0.66        | 0.6        |                             |     |
| SGC8595-300B-R | 8.5-9.5     | 55.3(~9.17)<br>54.7(9.17~) | 9.3(~9.17)<br>8.7(9.17~) | 38                | 50      | 1           | 0.7        |                             |     |
| SGC0910-200B-R | 9.2-10.5    | 53.5(~10.1)<br>52.5(10.1~) | 9.5(~10.1)<br>8.5(10.1~) | 39                | 50      | 0.66        | 0.6        |                             |     |
| SGC0910-300B-R | 9-10        | 55.3(~9.6)<br>54.7(9.6~)   | 9.3(~9.6)<br>8.7(9.6~)   | 38                | 50      | 1           | 0.7        |                             |     |
| SGC1011-300B-R | 9.8-10.5    | 55(~10.3)<br>54.4(10.3~)   | 9.0(~10.3)<br>8.4(10.3~) | 37                | 50      | 1           | 0.7        |                             |     |
| SGC1112-100B-R | 11.4-12     | 51                         | 9                        | 37                | 50      | 1           | 1.4        |                             |     |
| SGM6901VU      | 8.5-10.1    | 45.3(~9.8)<br>44.8(9.8~)   | 23.3(~9.8)<br>22.8(9.8~) | 38                | 50      | 0.2         | 2.1        |                             |     |