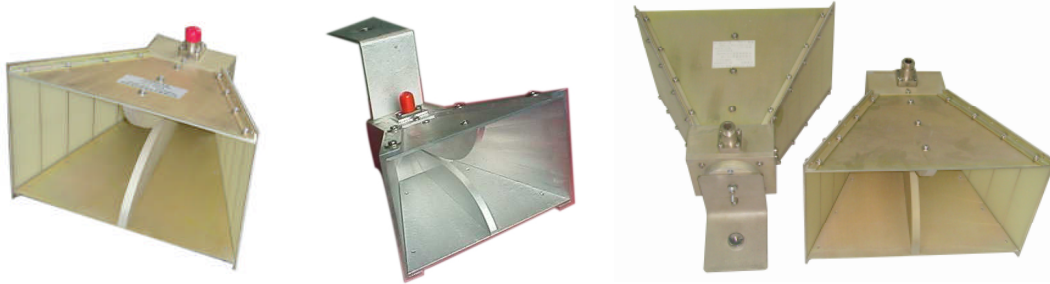
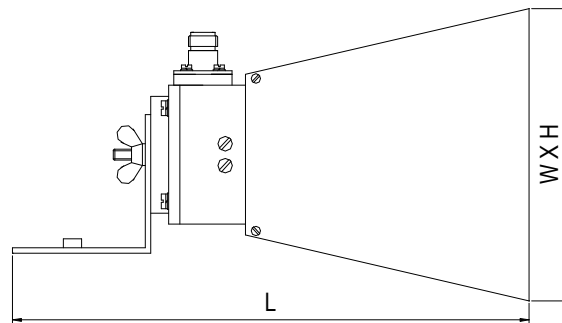




18 Wideband Horn Antenna



HengDa Microwave manufactures a high quality line of dual-ridged horn antennas typically used for EMI testing, surveillance equipment, antenna gain and pattern measurement. Wideband dual-ridged horn antennas are linearly polarized with high Gain, low VSWR, lightweight, covering from 0.2GHz to 40GHz. Please contact us with your specification and discuss your needs with one of our sales engineers.



【Specifications】

Model No	Freq Range (GHz)	Gain (dB)	3dB Beamwidth		VSWR (Max)	Dimensions (mm)			Input Coax Connector Type
			E-Plane	H-Plane		L	W	H	
HD-10180DRHA10S...	1.0-18.0	8.2-14.6	30°-77°	23°-60°	2.5	284	160	245	SMA
HD-10180DRHA10N...	1.0-18.0	8.2-14.6	30°-77°	23°-60°	2.5	284	160	245	Type N
HD-80180DRHA10N...	8.0-18.0	10-12	21°-34°	21°-44°	2.5	114.5	63	53	Type N
HD-80180DRHA10S...	8.0-18.0	10-12	21°-34°	21°-44°	2.5	114.5	63	53	SMA
HD-180400DRHA15K...	18.0 - 40.0	9-15.6	17°-44°	18°-33°	2.5	100	42	57	K2.4mm

**Indicates Model Number. See Ordering Information for complete part number.*

【Ordering Information】



Xi'an HengDa Microwave Technology Development Company

Example Part No: HD- 10180 DRHA 10 N K

HengDa Microwave _____ J=Male, K=Female

Freq Rang: 1-18GHz _____ Coax Connector Type: N=Type N, S=SMA, 2.92=K2.92mm

Product Type: Dual-Ridged Horn Antenna _____ Gain : 10dB (Avg)

- Flange type: Multiple types available - see HengDa Microwave Flanges page
- Finish: Corrosion protection plus black top coat

Part Number	Frequency (GHz)	Gain (dB)	VSWR (max.)	Interface
QDRHA-400-4000-N	0.4~4	6~17	2.0	N Female
QDRHA-600-6000-N	0.6~6	10	2.5	N Female
QDRHA-650-6000-N	0.65~6	6~16	2.0	N Female
QDRHA-700-8000-S	0.7~8	10	2.0	SMA Female
QDRHA-800-18000-S	0.8~18	3.5~14.5	2.0	SMA Female
QDRHA-1000-2000-N	1~2	15	1.5	N Female
QDRHA-1000-2000-N-1	1~2	8	1.5	N Female
QDRHA-1000-6000-N	1~6	10	2.5	N Female
QDRHA-1000-18000-S	1~18	10.7	2.5	SMA Female
QDRHA-1000-20000	1~20	12.58	2.0	-
QDRHA-18000-40000-K	18~40	16	2.5	2.92 mm Female